

SPECIFICATIONS

NAME: HALLADAY FAUCET

MODEL: EVA-2001

DESCRIPTION:

- Brass Construction
- Finishes Available: Chrome
- Flexible Hot/Cold Water Lines w/ 3/8" compression fittings.
- Faucet Weight: 2.7 Lbs
- Valve Core: Ceramic Cartridge

FEATURES:

- Single Lever Operating Handle
- 90° Arc For Temperature Control
- Max. Operating Temperature: 140° F (60° C)

FLOW RATE:

- 1.5 gpm Max Flow Rate. Faucet Flow Rate Is Adjustable To Meet Project Flow Regulations.

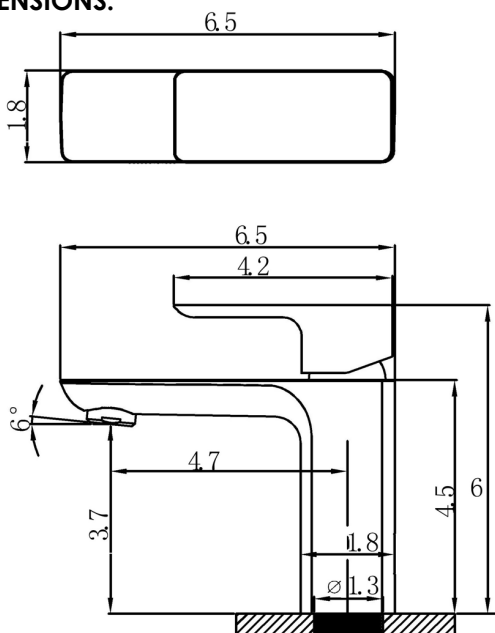
STANDARDS:

- CUPC Certified
- EC Certified

WARRANTY:

- One Year Limited Warranty, Which Starts At The Point of Delivery

PRODUCT DIMENSIONS:



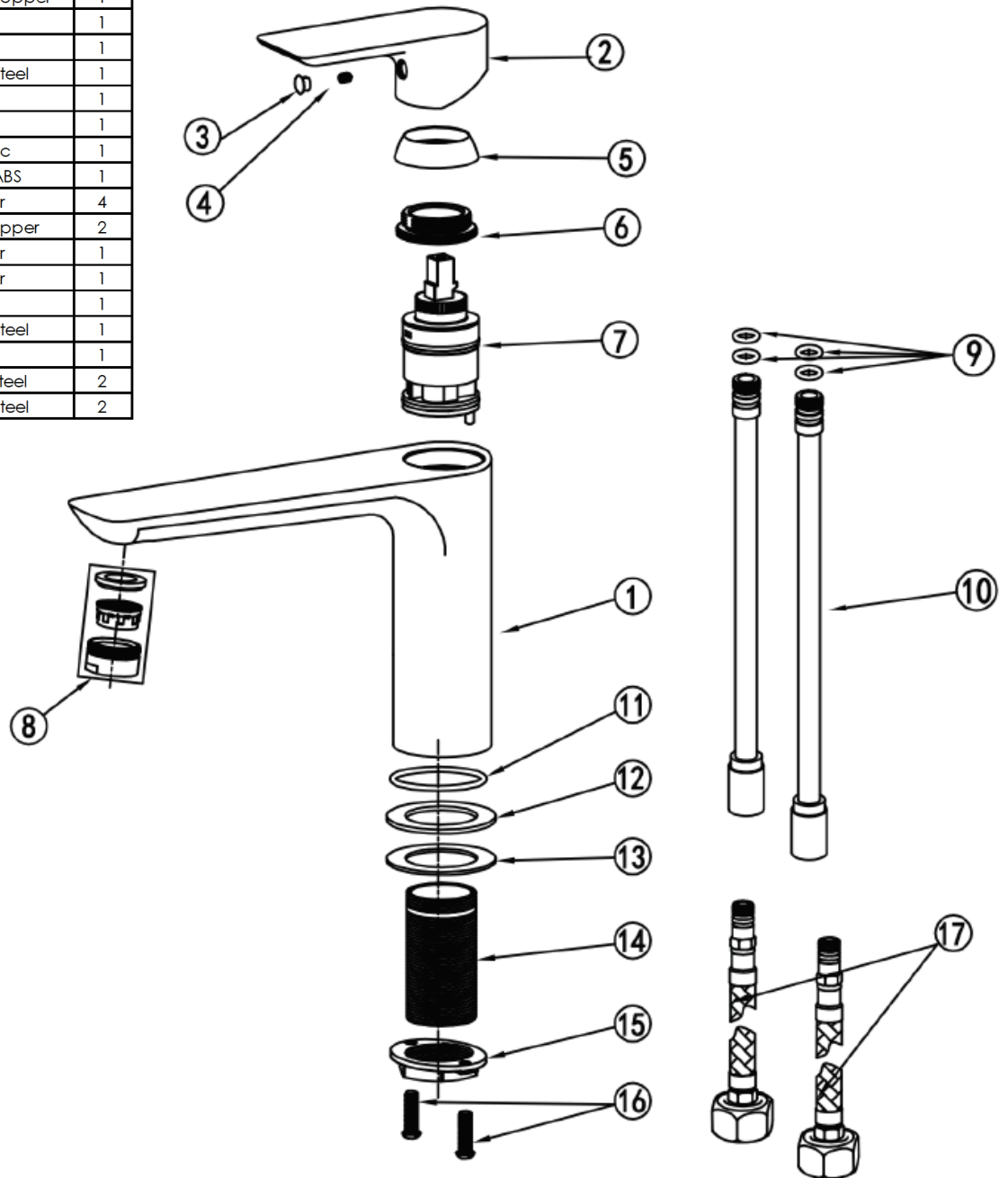
NOTE: Faucet Is Designed To Be Installed Through A 1" Hole (1-1/2" Max. Diameter)

EXPLODED VIEW

NAME: HALLADAY FAUCET

MODEL: VA-2001

#	NAME	MATERIAL	QTY
1	Main Body	Lead Free Copper	1
2	Handle	Zinc	1
3	Plug	ABS	1
4	Screw	Stainless Steel	1
5	Handle Dome	ABS	1
6	Screw Cover	Brass	1
7	Cartridge	Ceramic	1
8	Aerator Kit	Brass & ABS	1
9	O-Ring	Rubber	4
10	Tube	Brass & Copper	2
11	O-Ring	Rubber	1
12	Washer	Rubber	1
13	Washer	Zinc	1
14	Screw Tube	Stainless Steel	1
15	M32 Nut	Brass	1
16	Screw	Stainless Steel	2
17	Hose	Stainless Steel	2



corporate h.q.
921 aurora ave. n.
seattle
washington
usa 98109

the shop
1332 n 131st st.
seattle
washington
usa 98133

the plant
no. 3 jinsha rd.
chenyang town
zhangjiagang
china 215637

info@lotusfixture.com