

SPECIFICATIONS

NAME: BLAINE FAUCET

MODEL: EVA-2002

DESCRIPTION:

- Brass Construction
- Finishes Available: Chrome
- Flexible Hot/Cold Water Lines w/ 3/8" compression fittings.
- Faucet Weight: 2.9 Lbs

FEATURES:

- Single Lever Operating Handle
- 90° Arc For Temperature Control
- Max. Operating Temperature: 140° F (60° C)

FLOW RATE:

- 1.5 gpm Max Flow Rate. Faucet Flow Rate Is Adjustable To Meet Project Flow Regulations.

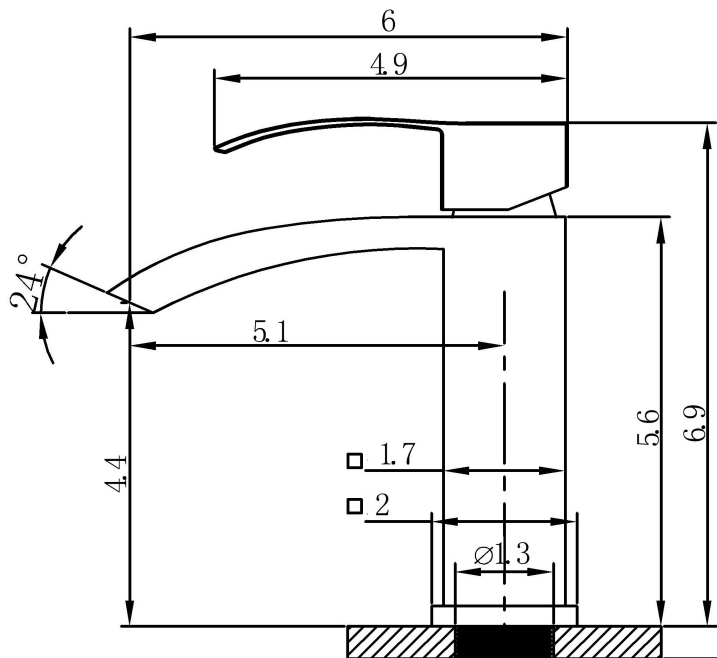
STANDARDS:

- CUPC Certified
- EC Certified

WARRANTY:

- One Year Limited Warranty, Which Starts At The Point of Delivery

PRODUCT DIMENSIONS:



NOTE: Faucet Is Designed To Be Installed Through A 1" Hole (1-1/2" Max. Diameter)

